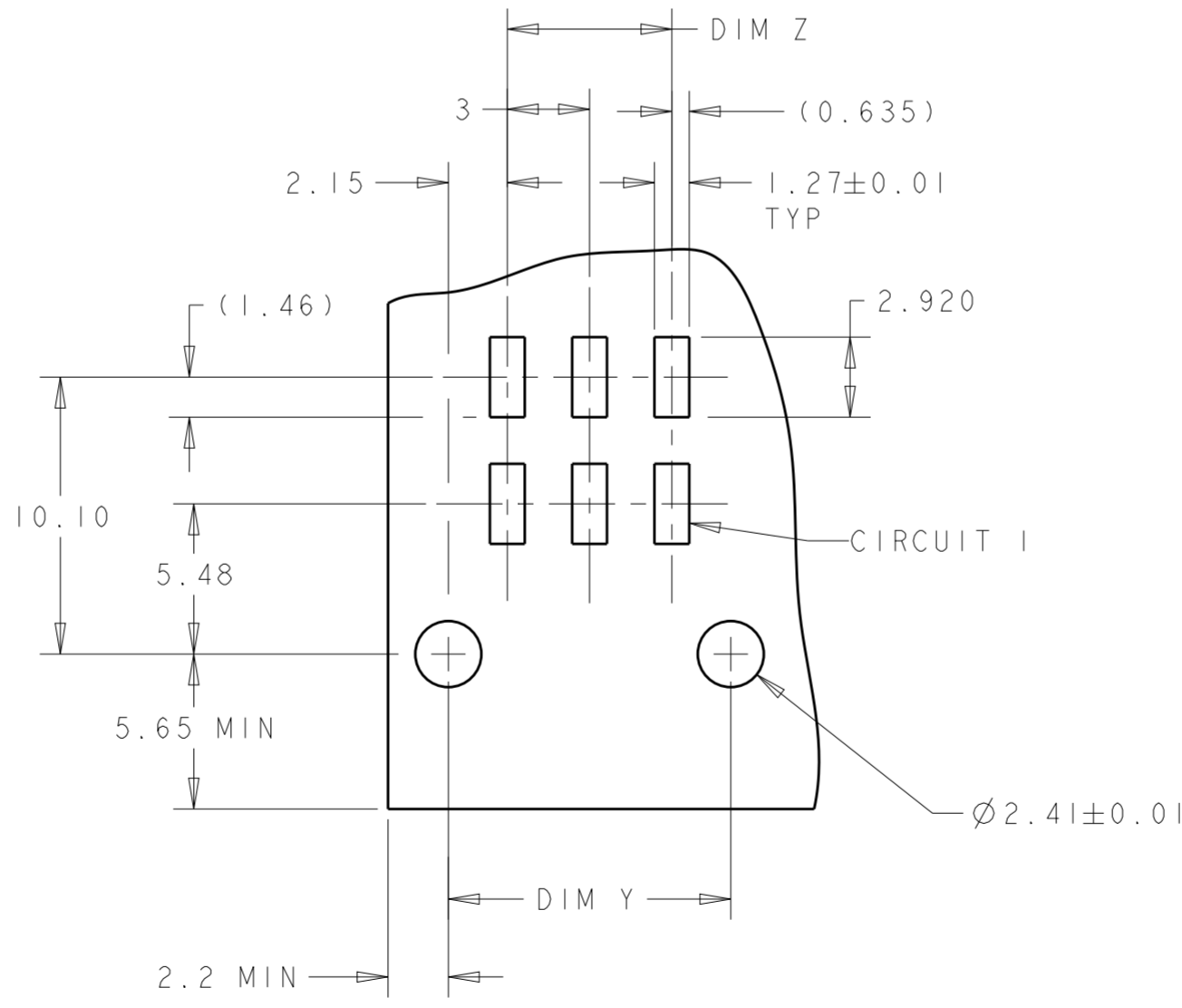
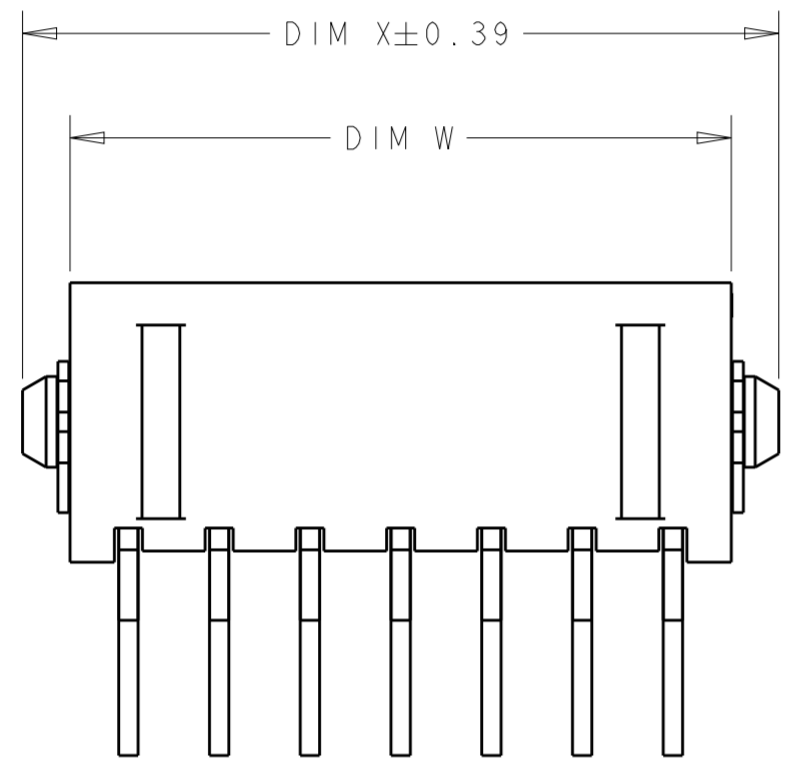
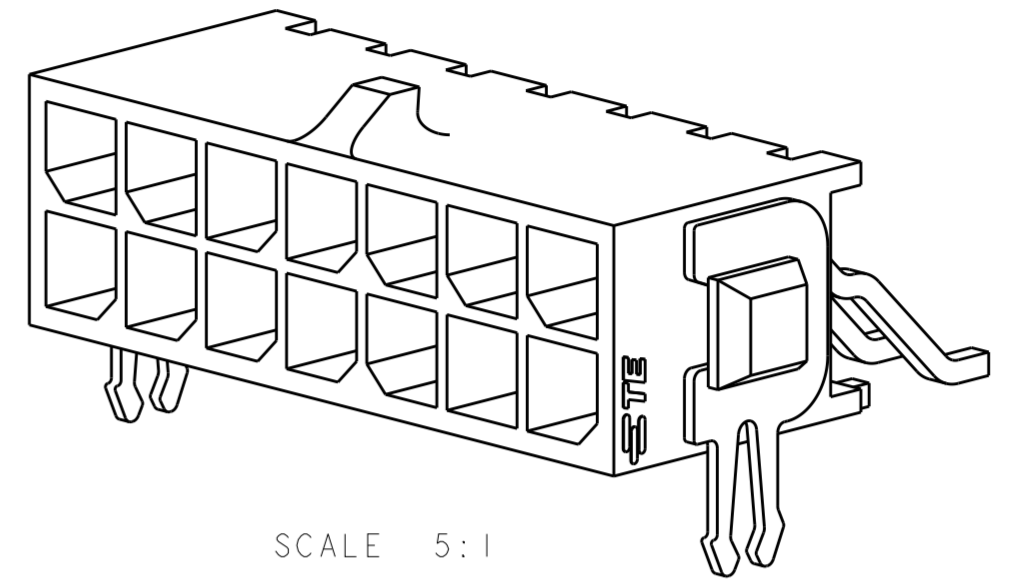
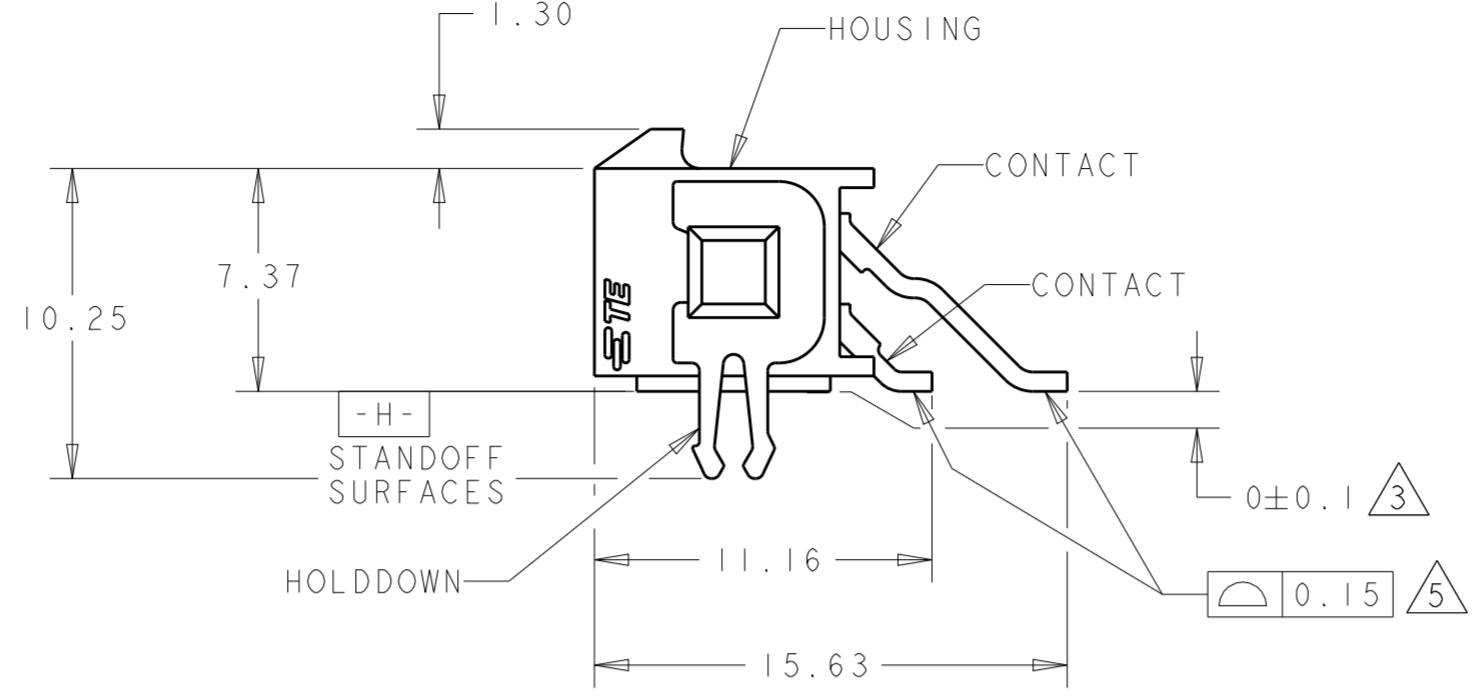
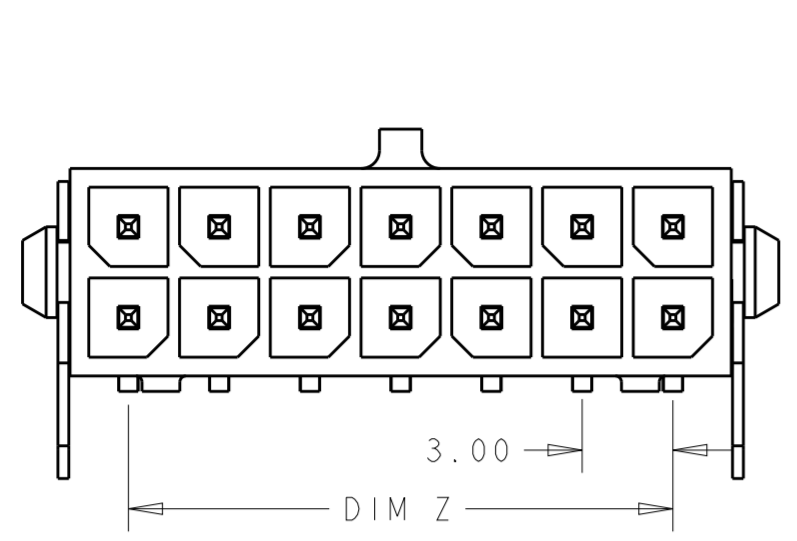


THIS DRAWING IS UNPUBLISHED. RELEASED FOR PUBLICATION 20  
 © COPYRIGHT 20 BY - ALL RIGHTS RESERVED.

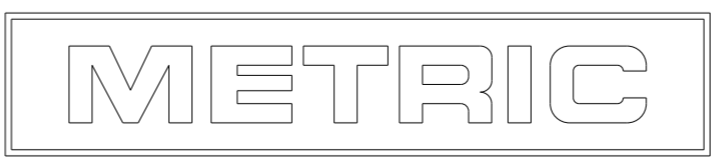
REVISIONS					
P	LTR	DESCRIPTION	DATE	DWN	APVD
G		REVISED PER ECO-15-003291	27JULY15	SC	DZ



△6	36.86	37.30	33.00	40.00	24	5-794625-4
△6	33.86	34.30	30.00	37.00	22	5-794625-2
△6	30.86	31.30	27.00	34.00	20	5-794625-0
△6	27.86	28.30	24.00	31.00	18	4-794625-8
△6	24.86	25.30	21.00	28.00	16	4-794625-6
△6	21.86	22.30	18.00	25.00	14	4-794625-4
△6	18.86	19.30	15.00	22.00	12	4-794625-2
△6	15.86	16.30	12.00	19.00	10	4-794625-0
△6	12.86	13.30	9.00	16.00	8	3-794625-8
△6	9.86	10.30	6.00	13.00	6	3-794625-6
△6	6.86	7.30	3.00	10.00	4	3-794625-4
△6	3.86	4.30	-	7.00	2	3-794625-2
△2	36.86	37.30	33.00	40.00	24	2-794625-4
△2	33.86	34.30	30.00	37.00	22	2-794625-2
△2	30.86	31.30	27.00	34.00	20	2-794625-0
△2	27.86	28.30	24.00	31.00	18	1-794625-8
△2	24.86	25.30	21.00	28.00	16	1-794625-6
△2	21.86	22.30	18.00	25.00	14	1-794625-4
△2	18.86	19.30	15.00	22.00	12	1-794625-2
△2	15.86	16.30	12.00	19.00	10	1-794625-0
△2	12.86	13.30	9.00	16.00	8	794625-8
△2	9.86	10.30	6.00	13.00	6	794625-6
△2	6.86	7.30	3.00	10.00	4	794625-4
△2	3.86	4.30	-	7.00	2	794625-2
FINISH	DIM W	DIM Y	DIM Z	DIM X	NO. OF POSN.	PART NUMBER

- △1 MATERIAL;  
CONTACTS - BRASS.  
HOUSING - UL 94V-0 RATED HIGH TEMP NYLON,  
COLOR: BLACK.  
HOLDDOWNS - PHOSPHOR BRONZE.
- △2 PLATING;  
CONTACTS - 0.38µm MINIMUM GOLD OVER 2.54µm  
MINIMUM NICKEL ON MATING AREA.  
2.54µm TIN-LEAD MINIMUM OVER 2.54µm  
NICKEL MINIMUM ON SOLDER TAILS.  
HOLDDOWNS - 2.54µm TIN LEAD.
- △3 DIMENSION APPLIES TO SOLDER TAIL SURFACES  
AND STANDOFF SURFACES.
- △4 RECOMMENDED PC BOARD THICKNESS OF 1.57.
- △5 ALL SOLDER TAILS.
- △6 PLATING;  
CONTACTS - 0.38µm MINIMUM GOLD OVER 2.54µm  
MINIMUM NICKEL ON MATING AREA.  
2.54µm MATTE TIN MINIMUM OVER 2.54µm  
NICKEL MINIMUM ON SOLDER TAILS.  
HOLDDOWNS - 2.54µm MATTE TIN.

RECOMMENDED PCB LAYOUT (COMPONENT SIDE) △4



THIS DRAWING IS A CONTROLLED DOCUMENT.

DIMENSIONS: mm	TOLERANCES UNLESS OTHERWISE SPECIFIED: 0 PLC ± 1 PLC ± 2 PLC ±0.13 3 PLC ± 4 PLC ± ANGLES ± FINISH	DWN K. WHITAKER 19MAR2003 CHK C. JONES 19MAR2003 APVD C. JONES 19MAR2003	TE Connectivity NAME SURFACE MOUNT, RIGHT ANGLE, MECHANICAL HOLDDOWN, ASSEMBLY, 15 GOLD HEADER DUAL ROW, MICRO MATE-N-LOK™
MATERIAL △1	SEE TABLE	PRODUCT SPEC - APPLICATION SPEC - WEIGHT -	

CUSTOMER DRAWING